



## Marine Aluminium and Zinc Anode

1. full range of products
2. low price, high quality
3. fast delivery



For ship hull, ship ballast tank, harbor installation and offshore structure, seawater cooling system, underground pipelines, tank, harbour, outside etc

1) Aluminium and Zinc Anode ; Dimension 500 x 150 x 65 mm

standard: GB/T4948-2002 GB/T4950-2002

unit weight: 12Kg

2) M16 SS316 Bolts with M16 Nuts for Anode BL 203 Anode fixing

Sacrificial Anode

Aluminum Alloy Cathodic Protection:

Chemical Composition (GB/T4948-2002)

Type	Chemical Composition (%)										
	Zn	In	Cd	Sn	Mg	Si	Ti	Impurity, Max			Al
								Si	Fe	Cu	
Al-Zn-In-CdA11	2.5~ 4.5	0.018~ 0.050	0.005 ~0.02		-	-	-	0.1	0.15	0.01	Remain
Al-Zn-In-SnA12	2.2~ 5.2	0.020~ 0.045	-	0.018~ 0.035	-	-	-	0.1	0.15	0.01	Remain
Al-Zn-In-SiA13	5.5~ 7.0	0.025~ 0.035	-	-	-	0.10~ 0.15	-	0.1	0.15	0.01	Remain
Al-Zn-In-Sn-MgA14	2.5~ 4.0	0.020~ 0.050	-	0.025~ 0.075	0.5~ 1.0	-	-	0.1	0.15	0.01	Remain
Al-Zn-In-Mg-TiA21	4.0~ 7.0	0.020~ 0.050	-	-	0.5~ 1.5	-	0.01~ 0.08	0.1	0.15	0.01	Remain

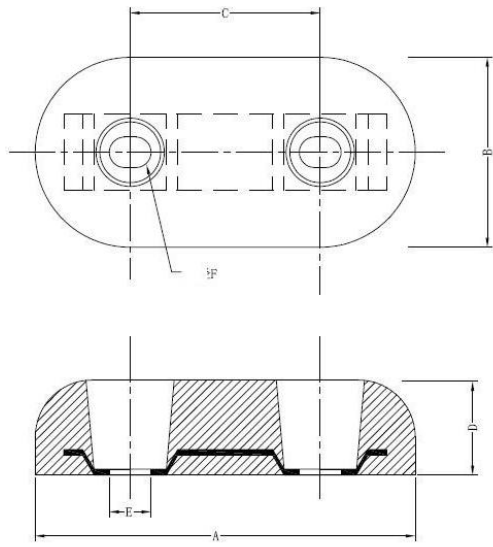
### The Electrochemical Properties

Open Circuit Potential/V	Operating Potential/V	Current Capacity/ (Ah/kg)	Current Efficiency/ %	Romsumption Rate/ kg.(A.a)-1	Dissolving Pattern
-1.18~-1.10	-1.12~-1.05	≥2400	≥85	≤3.65	Dissolves uniformly

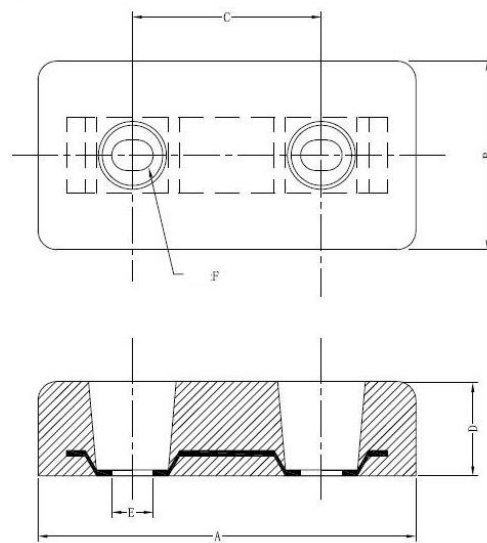
### Zinc Alloy Cathodic Protection:

standard	AL	Cd	Fe	Pb	Cu	Zn
ASTM-B0418 TYPE I MIL-A-1800-K	0.1-0.5	0.02-0.07	0.005 max	0.006 max	0.005max	remainder

Anodes for Hull, Bult-On type A



type B



ZINC ANODE welded/strap type



Crosscover Group Limited  
Marine Products Division  
Tel: +86 21 26967128  
Fax: +86 21 51862995  
sales@crosscovergroup.com  
shipproducts@gmail.com  
[www.crosscovergroup.com](http://www.crosscovergroup.com)